

**LAVASTOVIGLIE A CAPPOTTINA
HOOD TYPE DISHWASHER****WT55**

Code	Type	Ref.	Pagina/ Page
PRESSIONE			
505038	WT55P	a	2 3 5 6
505039	WT55P6	b	2 3 5 6
505044	WT55PM50	e	2 3 5 6
505045	WT55PM60	f	2 3 5 6

ATMOSFERICA

505040	WT55AG	c	2 3 4 6
505042	WT55AG1	d	2 3 4 6
698028	HT900ADG1	g	2 3 4 6

**Pagina/ Page****Indice/ index**

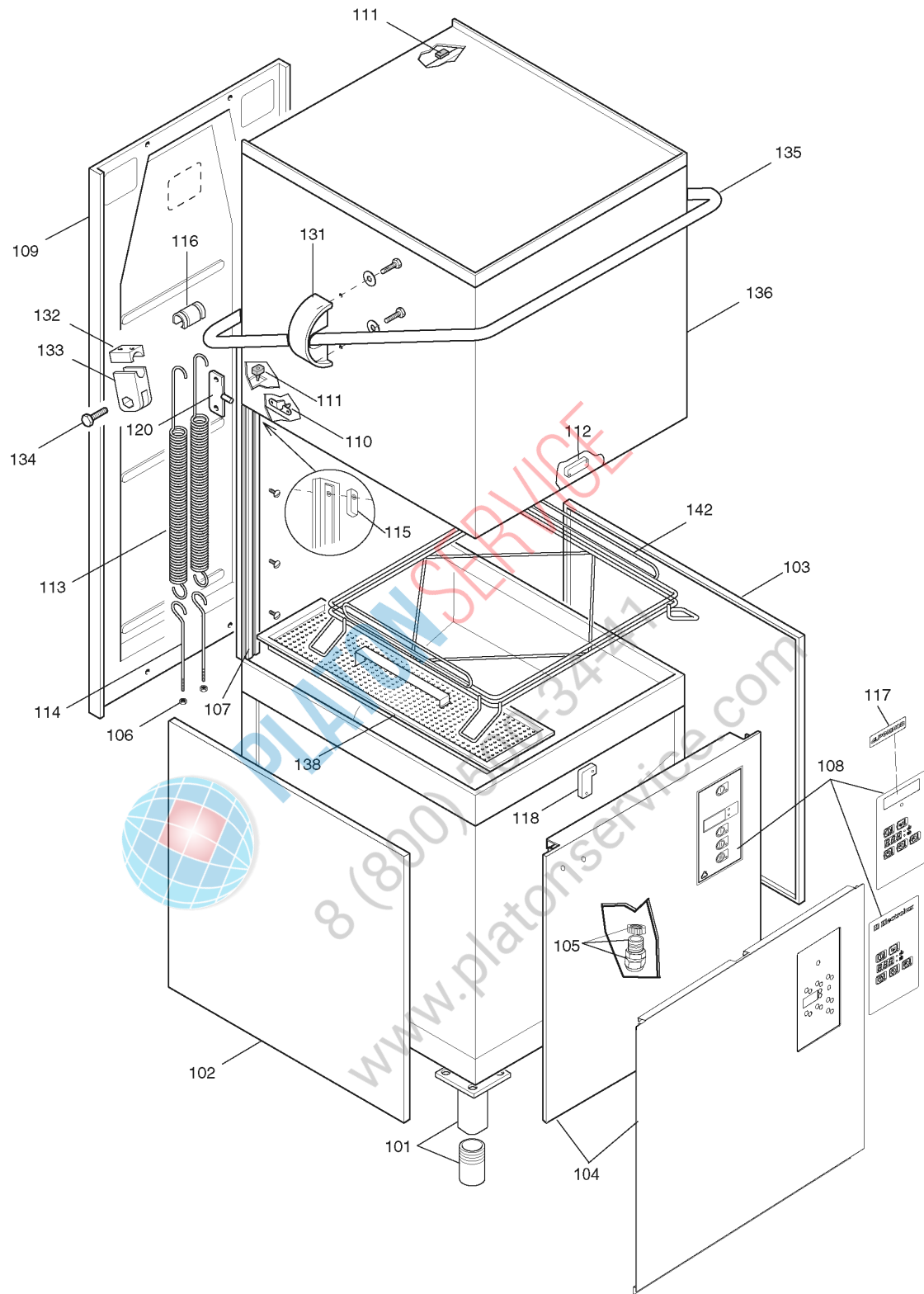
2	Vista generale / Main view
3	Componenti idraulici / Hydraulic components
4	Circuito idraulico atmosferico / Atmospheric plumbing circuit
5	Circuito idraulico a pressione / Pressurized plumbing circuit
6	Componenti elettrici / Electrical components
7 - 12	Lista ricambi / Spare parts list

Marchio/ Brand: E**Paese/ Country: Tutti/ All**

Da Ser.Nr./From Ser.nr.: /0242....

Page: 1 Ed.2008-05

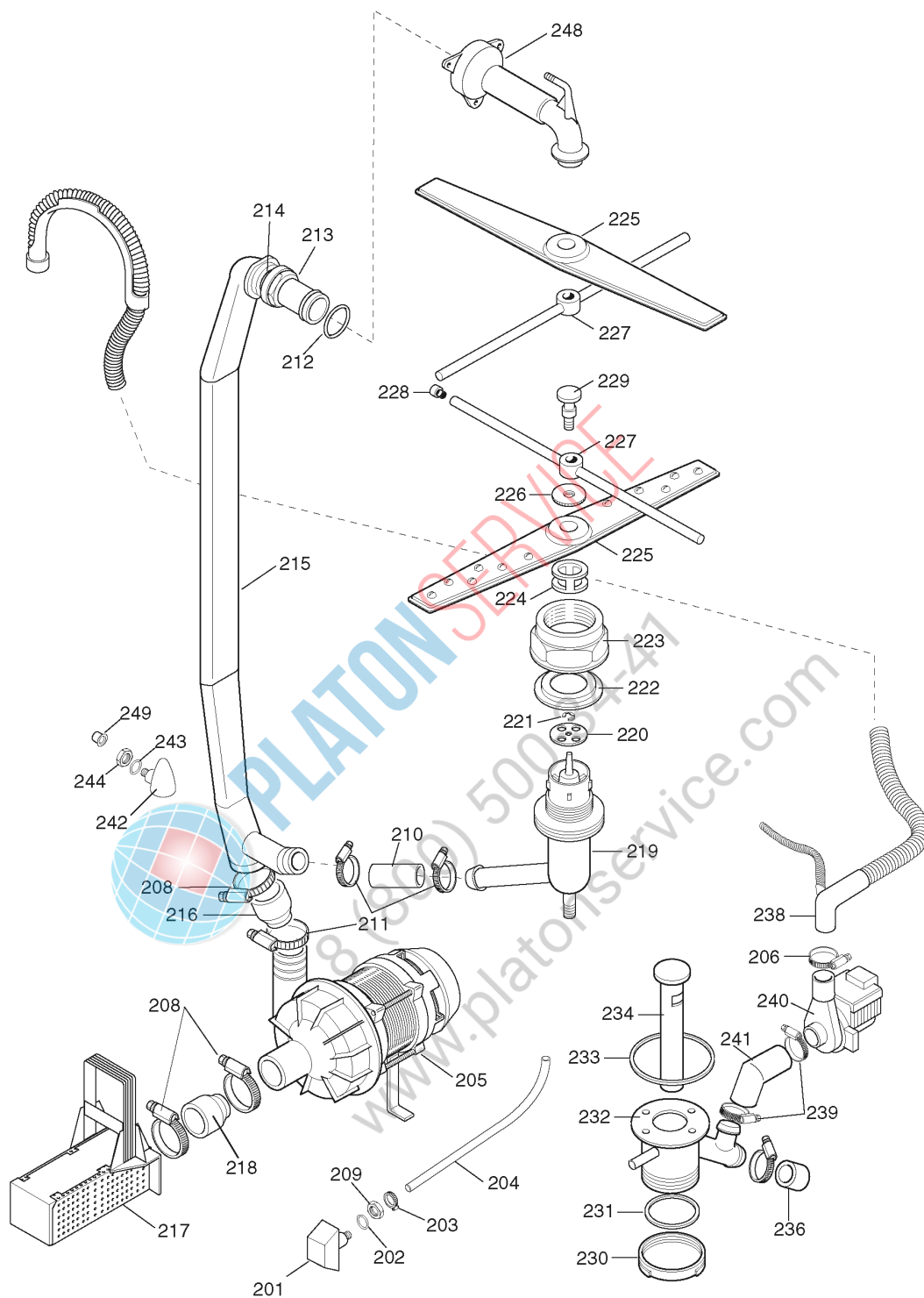
Doc. Nr.: 6-31 802



ill. 631802p2
Vista generale / Main view

Da Ser.Nr./From Ser.nr.: /0242....	Doc. Nr.: 6-31 802
Page: 2 Ed.2008-02	

??????	505038									
??????	6-31802		???????? 2				Main view			
.		Alias		S			.		(Euro)	
0101	048579			S				COMPLETE FOOT; H=153MM	From S.N 713	17,16
0101	0L0016							FOOT; CPL	Up to S.N 712	24,13
0102	0L0062							RIGHT SIDE PANEL		110,72
0103	0L0063							LEFT SIDE PANEL		110,72
0104	0L0089							FRONT PANEL	Up to ser nr:813	133,67
0104	0L1700							FRONT PANEL; ASSY; LS9	From ser nr:814	210,99
0105	048932			S				FIXING CABLE		7,10
0106	049761							BUSH		2,01
0107	0L0084			S				RUNNER		17,26
0108	0L0088							MEMBRANE	a,b,e,f - Up to ser nr:813	130,68
0108	0L1674							ADHESIVE MEMBRANE; WT55	a,b,e,f - From ser nr:814	149,31
0109	0L0066							REAR PANEL	From ser nr:306	78,54
0109	0L0066							REAR PANEL	a,b,e,f - From ser nr:306	78,54
0110	049527			S				DRIP SLIDE		3,60
0111	0L0090			S	A			ABSORBER		4,09
0112	049627							MAGNET		10,31
0113	0L0057			S				SPRING		33,32
0114	049583							SPRING STRETCHER		10,48
0115	0L0099			S				SLIDING SHOE		2,73
0116	049594							SPRING SUPPORT		2,53
0118	0L1871			S	A	Kit		REED SWITCH; KIT		20,99
0120	0L0059							BRACKET WITH BOLT		14,75
0131	0L0058			S				RUNNER		8,08
0132	0L0055			S				SUPPORT; UPPER		6,87
0133	0L0056			S				SUPPORT; LOWER		6,87
0134	0L0091							SCREW		4,81
0135	0L0054							HANDLE		120,08
0136	0L0053			S				COVERING; LS9		441,50
0138	0L0069			S				FILTER		69,56
0142	049629			S				RUNNER FOR BASKET		109,69



ill. 631802p3
Componenti idraulici / Hydraulic components

Da Ser.Nr./From Ser.nr.: /0242....

Page: 3 Ed.2002-10

Doc. Nr.: 6-31 802

??????	505038								
??????	6-31802		???????? 3				Hydraulic components		
.		Alias		S			.		(Euro)
0201	048308						AIR TRAP; FOR PRESSURE GAUGE		4,66
0202	068642						O-RING; ØI=15,54X2,62		1,07
0203	046946						CLAMP; 8-12/7,5		2,33
0204	048883						RUBBER HOSE; 5X12; 1PZ=2300MM		12,67
0205	0L0060		0L0564				WASH PUMP; 230/400V 3P 50HZ	a,c,e - 50 Hz - Up to ser nr:429	
0205	0L0092			S	A		WASH PUMP; ZF522VSX; 230V 1P 50HZ	a,d,e,g - 50 Hz	253,75
0205	0L0564			S	A		PUMP; ZF523V SX; 230/400V 3PH; 50HZ	a,c,e - 50 Hz - From S.N 430 - Up to S.N 709	278,86
0206	047578						CLAMP; 26-38		1,89
0208	046853						HOSE CLAMP; 60-80/9		2,66
0209	049268						HEX NUT; M14X1,5		1,89
0210	0L0558		0L0612				TUBE; D.42*51 L . 0,105 MT	Up to ser nr:443	
0210	0L0612			S			SLEEVE	From ser nr:444	7,17
0211	046855						HOSE CLAMP; 50-70/9	Up to ser nr:313	2,06
0211	0L0193			S			CLMAP; 40-60/9	From ser nr:314	2,07
0212	0L0185		068799				OR; 164 3,53X60,33		
0213	049596					CGX200 5-18	RING NUT	Up to ser nr:425	6,87
0213	0L0557			S			RING NUT; Ø MAX=96MM; H=25MM	From ser nr:426	4,15
0214	049593						O-RING; ØI=72,39X5,34 MM		1,97
0215	049595		0L0556			CGX200 5-18	PIPE	Up to ser nr:425	
0215	0L0556			S			PIPE; FOR WASHING ARMS SUPPORTS	From ser nr:426	50,86
0216	0L0068			S			JUNCTION		16,52
0217	049810						FILTER FOR PUMP		34,74
0218	0L0067			S			JUNCTION		14,56
0219	048235						SUPPORT F. LOWER JETS		42,95
0220	048820						SHUTTER		4,88
0221	048979						SNAP RING		1,49
0222	048236						GASKET		3,87
0223	048237						RING NUT; LOWER JETS SUPPORT		5,55
0224	048401					06001	HUB; FOR WASH ARM		22,39
0225	0L0598				A	CGX200 4-10	WASHING ARM ASSEMBLY		52,43
0226	048632						LOCK WASHER		9,98
0227	048716						RINSE JET		
0228	048714					CGX200 2-09	PLUG; FOR RINSE ARM		1,05
0229	048290						PIN; L=43MM; FOR RINSE ARMS		17,63
0230	048231						PLUG; FOR DRAIN SUPPORT		5,55
0231	048230						GASKET		6,18

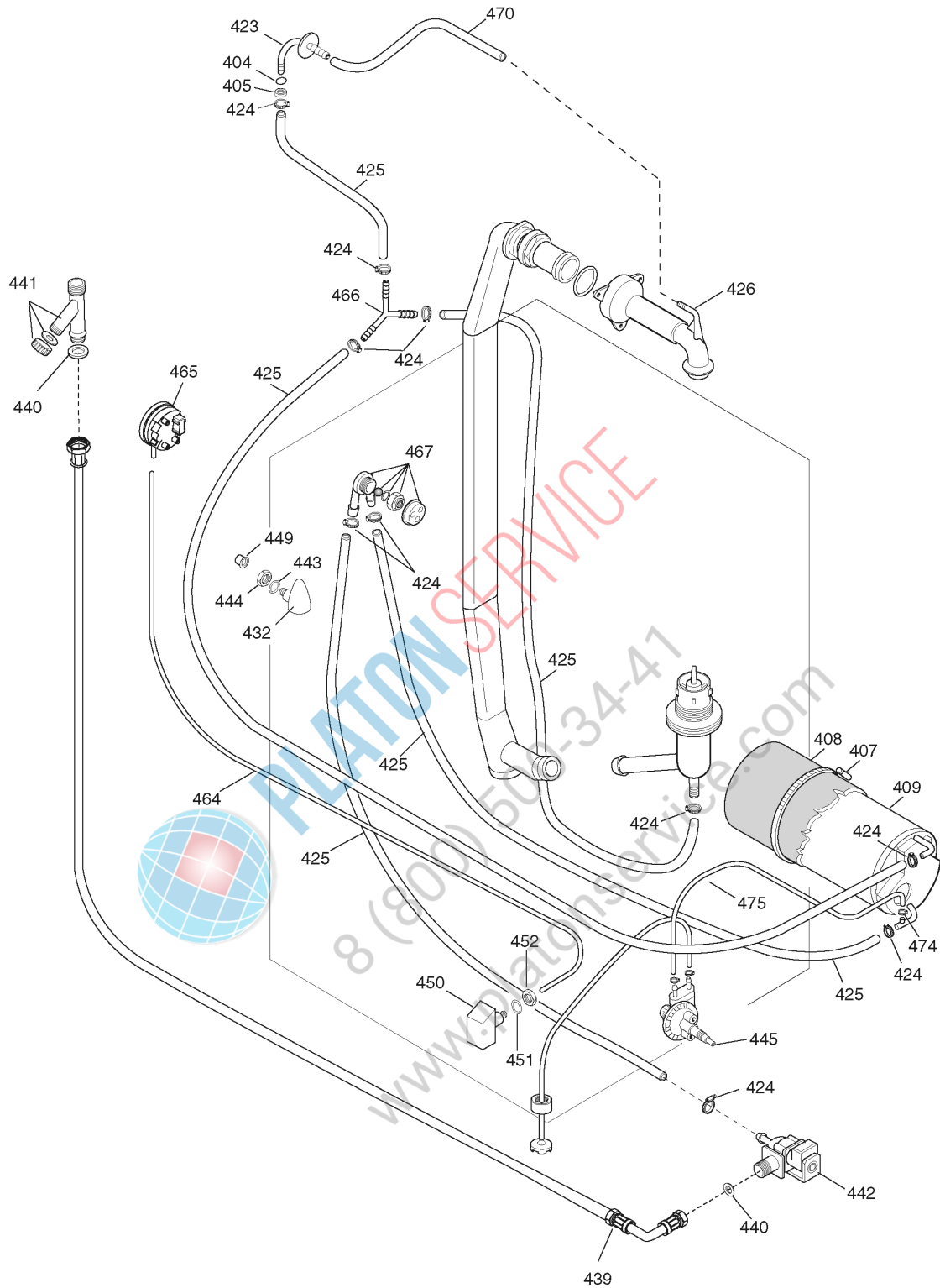
??????	505038								
??????	6-31802		???????? 3					Hydraulic components	
.		Alias		S			.		(Euro)
0232	0L0081							DRAIN MANIFOLD	10,48
0233	048229							GASKET; ØI=46,04X3,53 MM	1,07
0234	048250							OWERFLOW PIPE	a,b,e,f 12,87
0242	048853							AIR CHAMBER	4,21
0243	068642							O-RING; ØI=15,54X2,62	1,07
0244	049268							HEX NUT; M14X1,5	1,89
0248	0L0051			S				SUPPORT; UPPER JET	29,55
0249	049849			S				STOPPER	1,07



PLATON SERVICE

8 (800) 500-34-41

www.platonservice.com



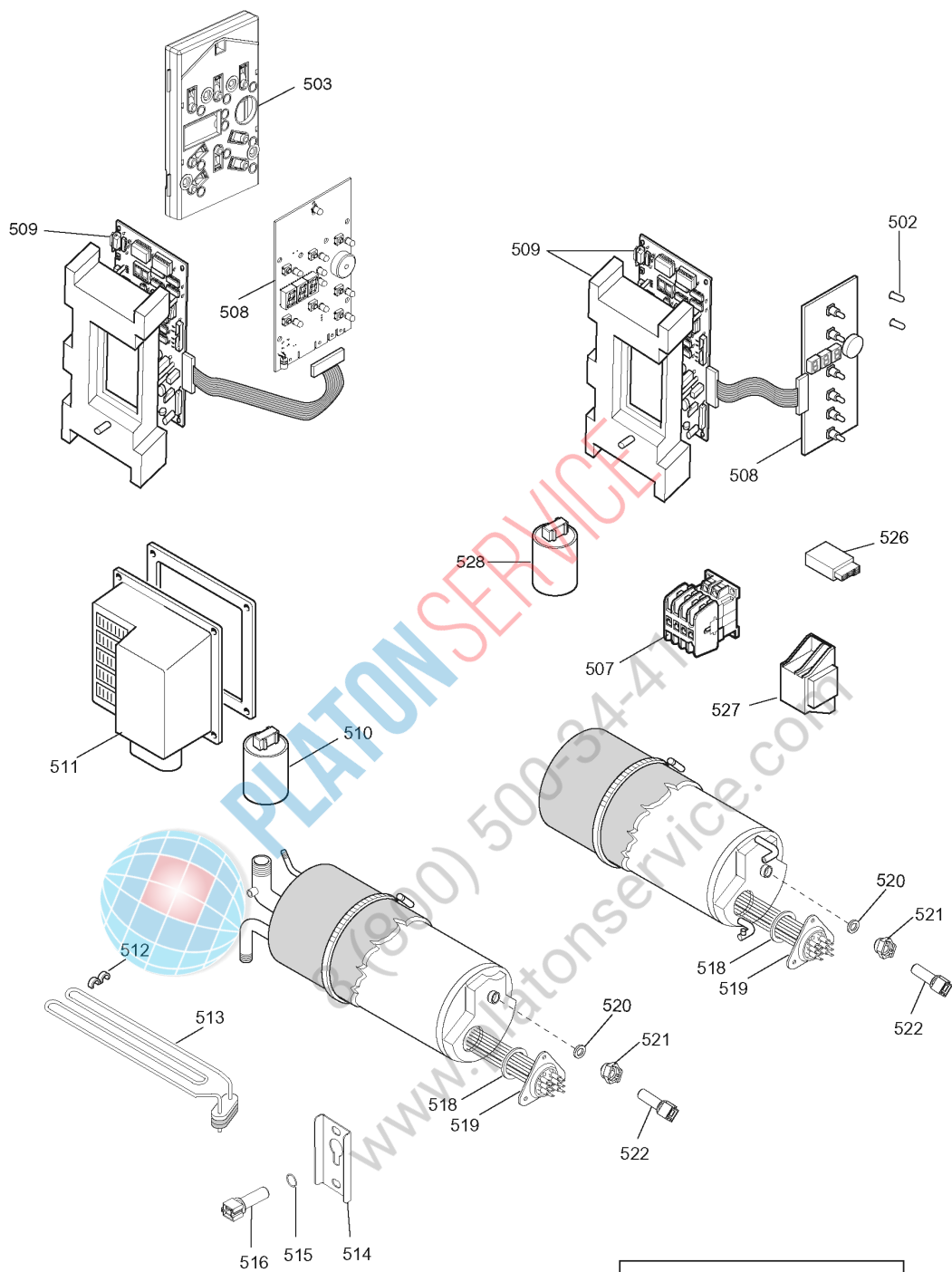
iii. 631802p5
 Circuito idraulico a pressione / Pressurized plumbing circuit

Da Ser.Nr./From Ser.nr.: /0242....

Page: 5 Ed.2004-06

Doc. Nr.: 6-31 802

???????		505038									
???????		6-31802		????????? 5		Pressurized plumbing circuit					
.		Alias		S		.				(Euro)	
0404	046799							O-RING; FOR OVERFLOW PIPE		1,07	
0405	049436							NUT; M20X1,5		4,06	
0407	048222							HOSE STRAP		7,98	
0408	048447			S				BOILER INSULATION; 670X330X13MM		17,05	
0409	0L0023				D	CGX200 3-06		BOILER	Up to ser nr:317		
0409	0L0284			S	A			BOILER; AISI 304	From ser nr:318	201,58	
0423	0L0052							CONNECTION		24,96	
0424	048126							CLIP; 13-20		1,66	
0425	048531							RUBBER HOSE; ØI=12MM;ØE=19,5MM;BY METER		9,83	
0426	0L0051			S				SUPPORT; UPPER JET		29,55	
0432	048853							AIR CHAMBER		4,21	
0439	048816							HOSE			
0440	046925		049201			CGX200 2-08		GASKET; ØI=13MM; ØE=24MM; H=3MM			
0441	048746							WATER FILTER; 3/4" M-F	Up to ser nr:429	15,61	
0441	048834							STRAINER	From ser nr:430	14,31	
0442	048817		0L3440					SOLENOID VALVE; 220-240V 50HZ; 319P5	Up to ser nr:429		
0442	0L0566		0L3445		A			SOLENOID VALVE; TYPE 329P5; 20 L/MIN	From ser nr:430		
0443	068642							O-RING; ØI=15,54X2,62		1,07	
0444	049268							HEX NUT; M14X1,5		1,89	
0445	0L0094		0L4295					RINSE AID DISPENSER			
0449	049849			S				STOPPER		1,07	
0450	048308							AIR TRAP; FOR PRESSURE GAUGE		4,66	
0451	068642							O-RING; ØI=15,54X2,62		1,07	
0452	049268							HEX NUT; M14X1,5		1,89	
0464	048883							RUBBER HOSE; 5X12; 1PZ=2300MM		12,67	
0465	049620							PRESSURE SWITCH; CALIB.= 250/130-390		20,60	
0466	048195							3-WAY FITTING; 2XØ=12MM E 1XØ=8,6MM		6,91	
0467	049332							VALVOLA NON RITORNO; DVGW			
0470	049379		0L3641					HOSE; WRC, 1PC=1130MM			
0474	046946							CLAMP; 8-12/7,5		2,33	
0475	048883							RUBBER HOSE; 5X12; 1PZ=2300MM		12,67	



* Cablaggio/Wiring hardness: 590

iii. 631802p6
Componenti elettrici / Electrical components

Da Ser.Nr./From Ser.nr.: /0242....	Page: 6 Ed.2008-02	Doc. Nr.: 6-31 802
------------------------------------	--------------------	---------------------------

??????	505038									
??????	6-31802		???????? 6				Electrical components			
.		Alias		S			.			(Euro)
0502	002670						EXTENSION; L=6,95MM	Up to ser nr:813		1,05
0503	0L1568		0L3876		D		USER COVERING; LS14	From ser nr:814		
0507	048825						CONTACTOR; K2-09A01-230	a,d,e,g - Up to ser nr:317		
0507	0L0285			S	A		CONTACTOR; 220-240V 50HZ/240-264V 60HZ	a,d,e,g - From ser nr:318		29,71
0508	0L0061		0L1235		D		PCB	Up to ser nr:421		
0508	0L0550		0L1235				USER INTERFACE BOARD	From ser nr:422		
0508	0L0710		0L1235				USER INTERFACE BOARD; LS 9	Up to ser nr:523 - From ser nr:524		
0508	0L1235			S	A		USER INTERFACE BOARD; LS9	From ser nr:623 up to 813		103,72
0508	0L1566		0L3876		D		USER INTERFACE BOARD; HT ACTIVE	Up to ser nr:813 - From ser nr:814		
0509	0L0045					CGX200 3-15	PCB	Up to ser nr:421 - From ser nr:422		
0509	0L0541		0L2583		D	Kit	PCB; ASSY	Up to ser nr:523		
0509	0L0705		0L2583		D		PCB	From ser nr:524		
0509	0L1412		0L2583		D		PCB; DIWAP10	Up to Ser Nr 709 - From Ser Nr 710		
0509	0L1811		0L2583				MOTHERBOARD; DIWAP10	Up to ser nr:820 - From ser nr:821		
0510	049303						RADIO INTERFERENCE FILTER; 250V 50/60HZ			24,73
0511	049618						TERMINAL BOARD	Up to ser nr:244		
0511	0L0111			S			JUNCTION BOX	From ser nr:245		41,47
0512	048429						BRACKET			2,11
0513	048491		0L1870				TANK HEATING ELEMENT; 3000W 230V	Up to ser nr:820		
0513	0L1870			S	A		HEATING ELEMENT; 230V-3000W	From ser nr:821		31,33
0514	049580						SUPPORT	Up to ser nr:327		15,07
0514	0L0366			S			SUPPORT	From ser nr:328		3,54
0515	046376						O-RING			
0516	049643						TEMPERATURE PROBE			10,25
0518	0E5037					CGX200 0-46	HEATING ELEMENT GASKET;DIA.56,52XSP.5,33			1,47
0519	049992		0L2653		A		HEATING ELEMENT; 230V 9000W	a,b,c,e - Up to ser nr:750		
0519	0L1630		0L2653		A		HEATING ELEMENT; 230V-9000W	a,b,c,e - From ser nr:751		
0520	046376						O-RING	a,b - From ser nr:318		
0520	067898						O-RING; ØI= MM.6,07X1,78	a,b - Up to ser nr:317		1,07
0521	067899						STUFFING BOX	a,b - Up to ser nr:317		4,99
0521	0L0280			S	A		STUFFING BOX	a,b - From ser nr:318		11,84
0522	049643						TEMPERATURE PROBE	a,b - From ser nr:318		10,25
0522	049884						TEMPERATURE PROBE	a,b - Up to ser nr:317		50,34
0528	049901						INDUCTIVE-CAPACITIVE FILTER:SINGLE PHASE	a,d,e,b,f,g - From S.N :710		17,18
0590	0L0466			S			WIRING HARNESS	Up to S.N 709		170,94
0590	0L1414						WIRING HARNESS	From S.N 710		168,14